



<b>Category</b>	Emergency
<b>Application</b>	Ancillary, Commercial, Education, Healthcare, Hospitality, Industrial, Retail
<b>Specification</b>	Performance

# Raven

Raven Emergency Downlight Non-Maintained Escape Route White  
**Code:** ARALED/ER/3NM/ST



- Recessed Self-test emergency downlight with self-contained inverter and battery pack
- Option of escape route or open area models
- Pre-wired with 150mm rubber insulated cable for ease of installation
- Integral components for fast-fit installation
- High performance optic design
- Up to 15 metres spacing between luminaires

GENERAL INFORMATION	
<b>Wattage</b>	3W
<b>Lumens Delivered</b>	110lm (Emergency)
<b>Beam Angle</b>	30/140
<b>CRI</b>	70
<b>CCT</b>	6500K
<b>Input</b>	220-240V
<b>Operating Temp</b>	0°C - 40°C
<b>SDCM</b>	6
<b>Cut-Out Size</b>	95mm
<b>Product Weight without Packaging</b>	0.28 kg

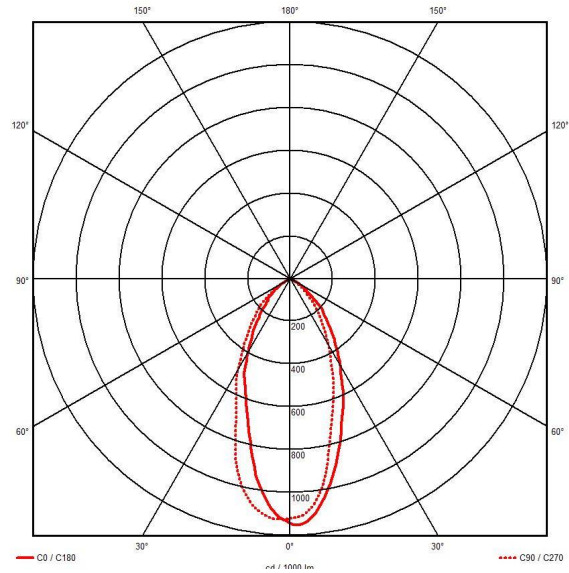
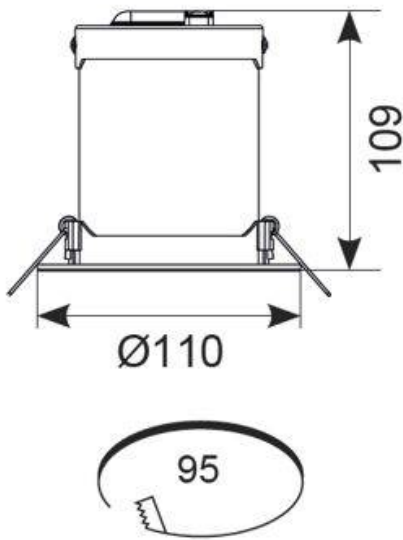
TECHNICAL INFORMATION	
<b>Light Source</b>	LED
<b>Colour / Finish</b>	White
<b>IP Rating</b>	IP65
<b>Class Protection</b>	1
<b>Internal / External</b>	Internal
<b>Surface / Recessed / Suspended</b>	Recessed
<b>Lumen Depreciation</b>	L70 50,000h
<b>Warranty (Years)</b>	5
<b>CE Mark</b>	Yes
<b>Diameter</b>	110 mm
<b>Height</b>	98 mm
<b>Emergency Output Duration</b>	3 Hr



Category	Emergency
Application	Ancillary, Commercial, Education, Healthcare, Hospitality, Industrial, Retail
Specification	Performance

# Raven

Raven Emergency Downlight Non-Maintained Escape Route White  
Code: ARALED/ER/3NM/ST



## SPARES

ASBP/14/LI

3.2V 3000mAh Li-FePO4 Replacement Battery