



Technical Data

Shaver Socket

Brief product description:

The BG Nexus Metal range has a sleek and slim profile with softly rounded edges that portrays a premium look, and is available in a wide range of finishes to cater for all tastes.

Features:

- Sleek and slim profile with softly rounded edges
- Easy to install, supplied with fixing screws and installation instructions
- Colour coded terminals with backed out screws for fast installation
- Fixed integrated plastic gasket to protect metal edges from moisture
- Colour matched fixing screws

Product Images



NAB20B



NBN20B



NPC20W



NFB20B



NBS20B



NBS20W



NBS20G



Technical Specifications

Standard(s)	BS EN 61558 BS 4573
Rating	20VA
Voltage	115/240V AC
Terminal Capacity	3 x 2.5mm ² 2 x 4.0mm ²
RoHS Directive	Yes
WEEE Directive	Yes
Mounting Box Depth (Min)	47mm
Fixing Centres	120.6mm (Vertical)

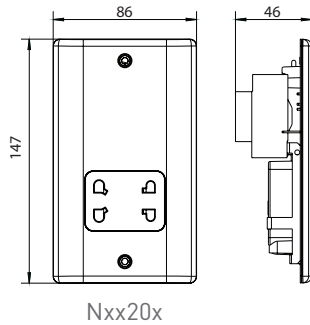


Intertek
Lic No.1016



Shaver Socket

Line Diagrams



Packaging Information

Cat No.	Description	Packaging Type			Pack Quantity			Barcode		
		Product	Inner Box	Outer Box	Each	Inner Box	Outer Box	Individual	Inner Box	Outer Box
NAB20B	DV SHAVER SKT - AB	Eco Blister	Printed Box	Printed Box	1	5	30	5050765044530	5050765166379	5050765168878
NBN20B	DV SHAVER SKT - BN	Eco Blister	Printed Box	Printed Box	1	5	30	5050765023474	5050765023849	5050765024211
NBS20B	DV SHAVER SKT - BS (BLK)	Eco Blister	Printed Box	Printed Box	1	5	30	5050765048637	5050765048644	5050765048651
NBS20G	DV SHAVER SKT - BS (GRY)	Eco Blister	Printed Box	Printed Box	1	5	30	5050765019163	5050765019538	5050765019903
NBS20W	DV SHAVER SKT - BS (WH)	Eco Blister	Printed Box	Printed Box	1	5	30	5050765028547	5050765028554	5050765028561
NFB20B	DV SHAVER SKT - FB	Eco Blister	Printed Box	Printed Box	1	5	30	5050765239868	5050765240024	5050765240185
NPC20W	DV SHAVER SKT - PC	Eco Blister	Printed Box	Printed Box	1	5	30	5050765020275	5050765020640	5050765021012

Colour Reference:

AB = Antique Brass, BS = Brushed Steel, BN = Black Nickel, FB = Matt Black, PC = Polished Chrome

Weights & Dimensions

Cat No.	Description	Dimensions (H x W x D) cm				Weight (kg)				CBM (m ³)
		Unpacked Product	Packed Product	Inner Box	Outer Box	Unpacked Product	Packed Product	Inner Box	Outer Box	Outer Box
N**20*	DV SHAVER SKT	14.7 x 8.6 x 4.6	15.3 x 18.0 x 5.2	18.7 x 18.4 x 19.3	20.8 x 38.3 x 56.3	0.631	0.667	3.45	21.21	0.04485