

## 32A SPACE SAVING RCBO 10kA 1P+N SINGLE MODULE B CURVE 230V A

- Single module space saving RCBO
- Breaking capacity 10 kA
- 32A B-Curve
- 30mA, Type A
- Reduced height 99.5 mm



### General information

Standards	BS EN IEC 61009-1 BS EN IEC 61009-2-2
Width in number of modular spacing	1
Design of pole	1P+N
Number of protected poles	1
Neutral can be switched	No
Position of neutral terminal	Right
Trip unit technology	Thermal-magnetic
Tripping characteristic	Type B
Rated current $I_n$ [ A ]	32
Residual current-detection principle	Electronic (voltage dependent)
Type of residual current	Type A
Residual current protection time delay	General type without time delay
Rated residual operating current ( $I_{\Delta n}$ ) [ mA ]	30
<b>Breaking capacity</b>	
Rated ultimate short-circuit breaking capacity ( $I_{cn}$ ) [ kA ]	10
Rated residual breaking and making capacity ( $I_{\Delta m}$ ) [ kA ]	2
Energy limiting class	3
Barcode (EAN-13)	5060690138488

### Technical information

Nature of power supply	AC
Rated operational voltage ( $U_e$ ) [ V ]	240 (230)
Rated frequency ( $f$ ) [ Hz ]	50/60
Rated insulation voltage ( $U_i$ ) [ V ]	500
Rated impulse withstand voltage ( $U_{imp}$ ) [ kV ]	4
Contact position indication	Green/Red windows
<b>Endurance</b>	
• Mechanical [ ops. ]	20000

### Danson Electrical UK Limited.

● Electrical	[ ops. ]	10000
--------------	----------	-------

## Environmental information

<b>Degree of protection</b>		
● Housing		IP40
● Terminals		IP20
Pollution degree		
		3
Overvoltage category		
		III
Altitude (maximum)		
	[ Meter ]	Max. 2000
<b>Ambient air temperature for operation</b>		
● Minimum	[ °C ]	-25
● Maximum	[ °C ]	+45
<b>Ambient air temperature for storage</b>		
● Minimum	[ °C ]	-40
● Maximum	[ °C ]	+70
Reference ambient air temperature		
		[ °C ] 30
Relative humidity		
		28 cycles with +20 °C/95% and +40 °C/50%

## Package information

<b>Package level 1</b>		
Type		
		Box
Number of units in package level 1		
	[ pcs ]	1
Weight		
	[ g ]	174
Length		
	[ cm ]	13
Width		
	[ cm ]	24
Height		
	[ cm ]	8
<b>Package level 2</b>		
Type		
		Carton
Number of units in package level 2		
	[ pcs ]	108
Weight		
	[ kg ]	17.8
Length		
	[ cm ]	45
Width		
	[ cm ]	24
Height		
	[ cm ]	34
<b>Package level 3</b>		
Type		
		Pallet
Number of units in package level 3		
	[ pcs ]	3240
Weight		
	[ kg ]	549
Length		
	[ cm ]	120
Width		
	[ cm ]	100
Height		
	[ cm ]	125

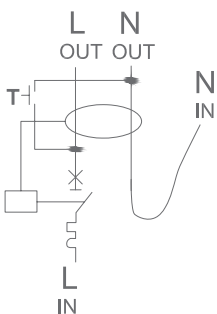
## Mounting & Connection

Mounting position		
		Any
Mounting method		
		on DIN rail EN 60715 (35 mm) by means of clip

### Danson Electrical UK Limited.

Power supply connection	Bottom terminal
<b>Terminal type</b>	
<b>Bottom</b>	
<ul style="list-style-type: none"> <li>Line live terminal</li> </ul>	Screw terminals
<b>Top</b>	
<ul style="list-style-type: none"> <li>Load live terminal</li> <li>Load neutral terminal</li> <li>Line neutral terminal</li> </ul>	Screw terminals Screw terminals Flying neutral lead
<ul style="list-style-type: none"> <li>- Section [ mm<sup>2</sup> ]</li> <li>- Length [ mm ]</li> <li>- Colour</li> </ul>	4 600 Blue
Function earth cable	No
Colour of function earth cable	-
Recommended screw driver	Pozidriv 2
<b>Connection capacity</b>	
<b>Line live terminal</b>	
<ul style="list-style-type: none"> <li>Flexible/Stranded</li> </ul>	
<ul style="list-style-type: none"> <li>- Minimum [ mm<sup>2</sup> ]</li> <li>- Maximum [ mm<sup>2</sup> ]</li> </ul>	1 25
<ul style="list-style-type: none"> <li>Solid</li> </ul>	
<ul style="list-style-type: none"> <li>- Minimum [ mm<sup>2</sup> ]</li> <li>- Maximum [ mm<sup>2</sup> ]</li> </ul>	1 35
<b>Load live &amp; neutral terminals</b>	
<ul style="list-style-type: none"> <li>Flexible/Stranded/Solid</li> </ul>	
<ul style="list-style-type: none"> <li>- Minimum [ mm<sup>2</sup> ]</li> <li>- Maximum [ mm<sup>2</sup> ]</li> </ul>	1 10
Wiring stripping length	[ mm ] 11.5
<b>Tightening torque</b>	
<ul style="list-style-type: none"> <li>Line live terminal [ N.m ]</li> <li>Load live &amp; neutral terminals [ N.m ]</li> </ul>	2 2.5
Sealable handle	Yes

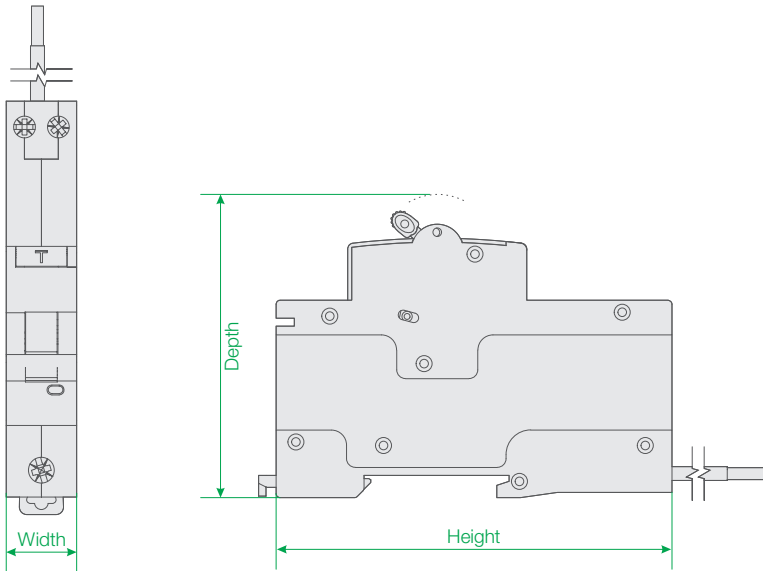
## Diagram



# E-DLZS2132

## Dimensions

Height [ mm ]	Width [ mm ]	Depth [ mm ]	Weight [ g ]
99.5	17.8	76.2	151



## Certificate

**UK  
CA**

**CE**

**CB**