

IP65 Rotary Isolator

IP65 Surface Mounted 32A 4 Pole Rotary Isolator A.C. with Large Box



Technical information

Barcode (EAN-13)	5060690132899
Standards	IEC/EN 60947-3 IEC/EN 60947-1
Number of poles	4
Rated operational current I_o	
• AC-21A [A]	32
Nature of power supply	AC
Rated operational voltage U_o [V]	415
Rated frequency f_n [Hz]	50/60
Rated power of 3 phase motor 50-60 Hz	
• AC-23A 415 V [kW]	11
Insulation class	II

Mounting & Connection

Mounting position	Wall mounting
Mounting method	Surface mounting
Terminal type	Screw terminal
Maximum connection capacity [mm ²]	16
Tightening torque [N.m]	1.2

Environmental information

Degree of protection	IP65
Altitude (maximum) [Meter]	2000
Ambient air temperature for operation	
• Minimum [°C]	-25
• Maximum [°C]	+45
Ambient air temperature for storage	
• Minimum [°C]	-30
• Maximum [°C]	+60
Relative humidity	max. 95% at 55 °C

Danson Electrical UK Limited.

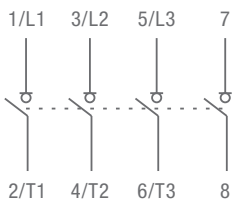
Package information

Package 1		
Type		Box
Number of units in Package 1	[PCS]	1
Weight	[kg]	0.56
Length	[mm]	180
Width	[mm]	122
Height	[mm]	125
Package 2		
Type		Carton
Number of units in Package 2	[PCS]	20
Weight	[kg]	12.2
Length	[mm]	644
Width	[mm]	388
Height	[mm]	293
Package 3		
Type		Pallet
Number of units in Package 3	[PCS]	360
Weight	[kg]	229.6
Length	[mm]	1200
Width	[mm]	1000
Height	[mm]	1250

Certificate



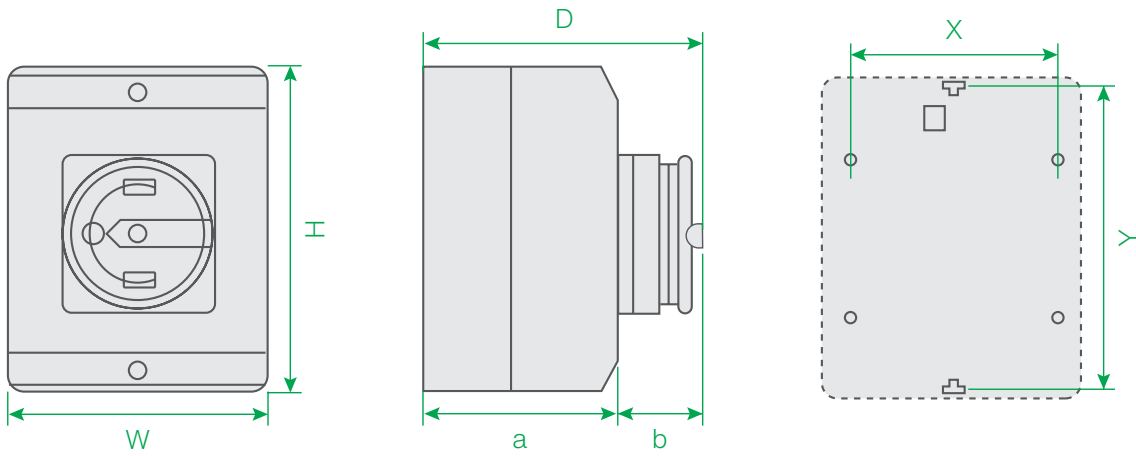
Diagram



Dimensions

Height [mm]	Width [mm]	Depth [mm]	a [mm]	b [mm]	X [mm]	Y [mm]	Weight [kg]
173	115	119	84	35	90	165	0.48

R324PAC-L



Danson Electrical UK Limited.