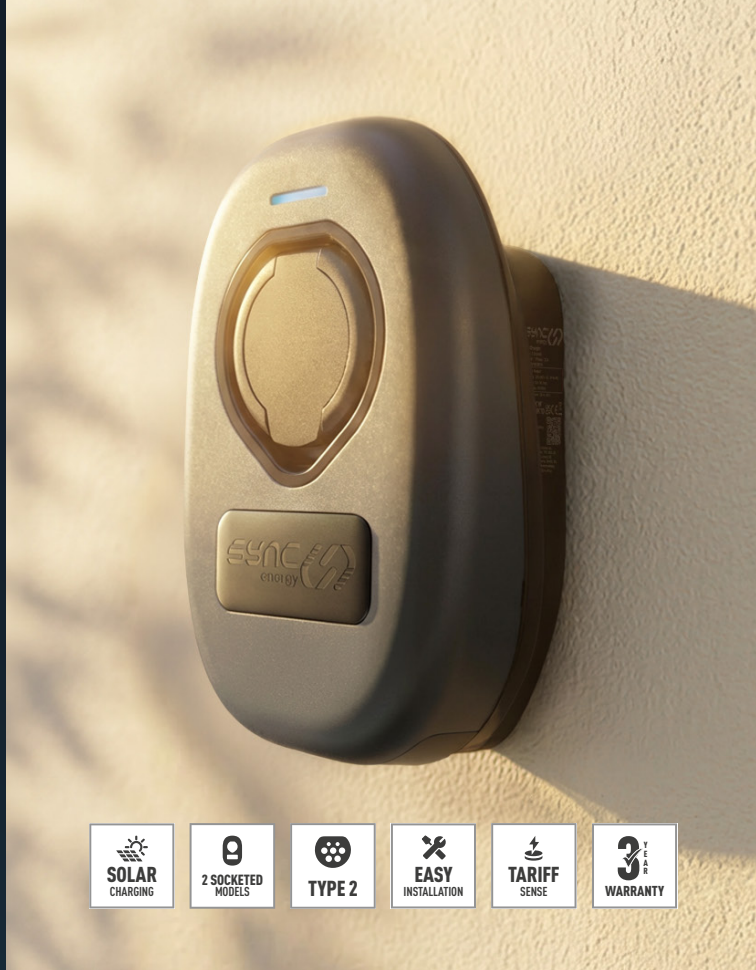


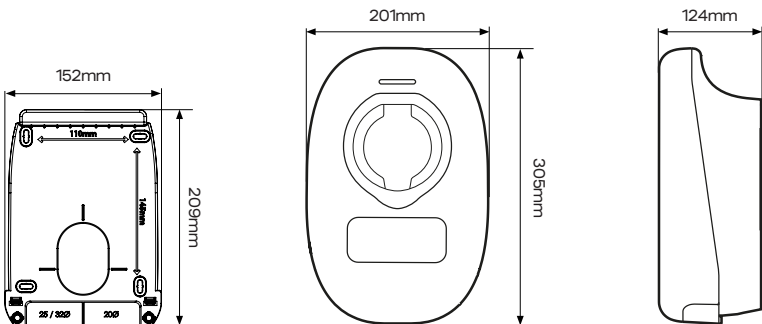
# EV CHARGER

## 7.4kW Socketed

- **Auto Solar Charging** allowing you to utilise excess solar power to charge your EV, maximising the benefits of clean, renewable energy while reducing your energy bills.
- **Tariff Sense** - Our energy management feature connects to any UK tariff, giving real-time insights and control over charging costs.
- Models with Wi-Fi/LAN or Wi-Fi/LAN/4G
- Fully compliant with The Electric Vehicles (Smart Charge Points) Regulations 2021, including Schedule 1
- Full Smart functionality via Sync Energy App and OCPP 1.6J connectivity
- Dynamic charging - up to 7.4kW (32A)
- No earth rod required - Integrated Open Pen Detection Device (OPDD) - IET01:2024
- Integrated RDC-PD with 30ma AC type A and 6mA DC detection. Compliant for BS EN62955 and BS EN 61008
- OCPP 1.6J connectivity - free lifetime over-the-air updates
- Type 2 socket with auto-lock
- Tethered, Three Phase and Commercial RFID versions also available



PART NO.	DESCRIPTION	SOCKET TYPE	MAX OUTPUT (kw) (A)		INPUT VOLTAGE
EVWC2S7G-03	Single Phase 7.4KW / WI-FI / LAN	Type 2 with Autolock	7.4kW MODE 3	32A	220-240V
EVWC2S7GG-03	Single Phase 7.4KW / WI-FI / LAN / 4G	Type 2 with Autolock	7.4kW MODE 3	32A	220-240V



## ELECTRICAL SPECIFICATIONS

<b>MAXIMUM CHARGE CURRENT</b>	Configurable, 6-32A	<b>LOAD BALANCING</b>	Supplied with Load Management Kit
<b>INPUT FREQUENCY</b>	50-60hz	<b>OVERLOAD AND FAULT PROTECTION</b>	Over current and over voltage protection
<b>PEN FAULT</b>	Yes, Integrated OPDD Earth Disconnection compliant for IET01:2024 and BS7671 AMD 2	<b>METER ACCURACY</b>	2% Class C equivalent internal meter with option for connection to external RS485 MDBUS Meter
<b>RCD PROTECTION</b>	Integrated RDC-DD with 30ma AC type A and 6mA DC detection. Compliant for BS EN62955 and BS EN 61008.	<b>TERMINALS</b>	Colour coded Leaver terminals - 4-16mm <sup>2</sup>
<b>ELECTRICAL CLASS</b>	Class 1 electronics with insulated Class 2 (II) housing	<b>INDICATOR</b>	RGB LED and Buzzer
<b>CONSUMER UNIT REQUIREMENTS</b>	40A MCB OR 30mA Type A RCBO (Dependent on cable type &/OR Route)	<b>INDICATOR MODES</b>	BLUE – Standby, FLASHING BLUE – Preparing, FLASHING GREEN – Finishing, SCROLLING GREEN – Charging, YELLOW – No Network, RED – Error, PURPLE – Balancer Error
<b>CABLE MANAGEMENT</b>	Built-in cable wrap	<b>ANTI-TAMPER DETECTION</b>	2 Layer Protection, Bluetooth to Bluetooth commissioning

## OPERATING CONDITIONS & CONSTRUCTION

<b>OPERATING</b>	-25 to +55°C	<b>HOUSING</b>	UV Stabilised Polycarbonate
<b>IP RATING</b>	IP65	<b>COLOUR</b>	Base and Body RAL 9005 (Black) Trim RAL 9006 (Anthracite Grey) Optional Coloured Trims available as accessories
<b>IK RATING</b>	IK10	<b>DIMENSIONS</b>	305 (H) x 201 (W) x 124 (D)
<b>MOUNTING</b>	First fix bracket, 4 point with horizontal and vertical adjustments. 110mm H x 145mm W fixing centres		

## CONNECTIVITY & ACCESSORIES

<b>SOC MODULE</b>	AI ESP32-S SOC	<b>SOFTWARE &amp; FIRMWARE UPDATE</b>	Over-the-air
<b>WI-FI &amp; ETHERNET</b>	2.4Ghz 802.11 B/G/N & RJ45	<b>STANDARDS &amp; APPROVALS</b>	IEC61851-1, IEC61439-7, IEC 62955, IC 61851-21-2, BS EN62196, EN301 511, EN 301 908-1/2/13, EN 301 489-3, EN 300 330, EMC COMPLIANT, CE, UKCA, The Electrical Vehicles (Smart Charge Points) Regulations 2021 including schedule 1
<b>WI-FI SECURITY</b>	WPA/WPA2/WPA2-ENTERPRISE/WPS	<b>SUPPLIED ACCESSORIES</b>	5 x Assembly Lid Bolts, 1 x Blanking Plug and 1 x 25mm Compression Gland, Cord Grip and 2 x Cord Grip Assembly Screws, 1 x RFID Key Fob (EVWC2S7GGR ONLY)*
<b>BLUETOOTH</b>	4.2 BR/EDR and BLE	<b>ACCESSORIES</b>	*Additional Key Fobs can be ordered using the code EVXRFDIFOB-01 Single Charger Stand - (EVASTAND12S) Twin Charger Stand - (EVASTAND12T) Charging Cables - Various Coloured Trims - Shown below
<b>CONNECTION PROTOCOL</b>	OCPP 1.6J		
<b>4G DATA</b>	Model specific 3 years included when used with Sync Energy (on the included package). Top-up online to continue service after 3 years.		
<b>APP</b>	Powered by Sync Energy		

