

# Traditional T-Series Wall Fan

- Extract/intake model in 4 sizes: 6", 7", 9" and 12"
- Patented electronic shutter system ensures quiet, trouble free operation
- For the very best from your fan use the Ecotronic controller
- Easy fit connector Top Socket, standard on all models



## UK's No. 1 Commercial Fan

Behind the grille of the Vent-Axia T-Series Wall model is a range of high performance extract/intake fans designed to fit through most wall thicknesses using telescopic liners supplied.

T-Series also features a unique speed control pack which enables high, medium or low speed to be preset to suit room size or required duty.

T-Series controllers may be used with this model to obtain a choice of speeds, reversible airflow direction and automatic sensor operation. The Vent-Axia Ecotronic controller gives even greater running economy with its minimum speed setting and 'E' mode.

## Top Socket

A connector Top Socket is standard on all T-Series fans. Allowing fast and trouble-free mains connection.

## Shutter

TX models are supplied complete with an integral instantaneous automatic louvre shutter which will operate on both intake and extract and at any angle of mounting.

When the fan is used with a T-Series or Ecotronic controller, the shutter can be set open with the fan motor switched off to provide natural ventilation without the security risk of an open window.

## Electrical

Motor purpose-designed. Suitable for running at any angle. Quiet running, enclosed. Suitable for operation in ambient temperatures from -40°C to +50°C.

Fitted with Standard Thermal Overload Protection (S.T.O.P.).

Supply voltage 220-240V/1/50Hz.

## Wall Kits

Designed to fit into most double brick walls using the telescopic liners, supplied. Additional liners are available to accommodate exceptionally thick brick walls.

## Models

### Complete Fan

| Model  | Stock Ref |
|--------|-----------|
| TX6WL  | W161510B  |
| TX7WL  | W162510B  |
| TX9WL  | W163510B  |
| TX12WL | W164510B  |

### Fan Core (excludes Fitting Kit)

| Size | Stock Ref |
|------|-----------|
| TX6  | 472012    |
| TX7  | 472013    |
| TX9  | 472014    |
| TX12 | 472015    |

### Wall Kits (excludes Fan Core)

| Size | Stock Ref |
|------|-----------|
| TX6  | 472016    |
| TX7  | 472017    |
| TX9  | 472018    |
| TX12 | 472019    |

## Accessories

### Additional Wall Liner Section

| Size | Stock Ref |
|------|-----------|
| TX6  | 460094    |
| TX7  | 460095    |
| TX9  | 460096    |
| TX12 | 460086    |

## Controllers



Ecotronic Controller Surface Mounting

Stock Ref

W362320

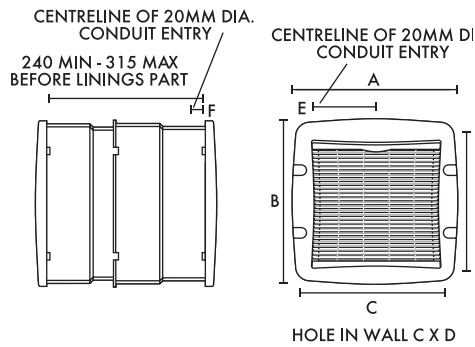


T-Series Controller Surface Mounting

Stock Ref

W361119

## Dimensions (mm)



| Size Dim. | 6 in | 7 in | 9 in | 12 in |
|-----------|------|------|------|-------|
| A         | 310  | 352  | 391  | 470   |
| B         | 303  | 345  | 388  | 467   |
| C         | 290  | 330  | 365  | 442   |
| D         | 290  | 330  | 375  | 450   |
| E         | 104  | 124  | 143  | 182   |
| F         | 25   | 25   | 25   | 25    |
| Weight kg | 5.54 | 6.13 | 7.77 | 10.86 |

\* Complete product.

## Performance Guide

| Model     | Extract performance m <sup>3</sup> /h (l/s) |            |            | Watts (high) | Sound dB(A) (med) @ 3m | Amps @ 240V |
|-----------|---|------------|------------|--------------|------------------------|-------------|
|           | low   | medium     | high       |              |                        |             |
| TX6 Wall  | 270 (75)                                    | 350 (97)   | 395 (110)  | 40           | 43                     | 0.24        |
| TX7 Wall  | 335 (93)                                    | 435 (120)  | 530 (147)  | 40           | 39                     | 0.24        |
| TX9 Wall  | 515 (143)                                   | 755 (210)  | 870 (241)  | 85           | 43                     | 0.42        |
| TX12 Wall | 1185 (329)                                  | 1530 (425) | 1745 (485) | 105          | 49                     | 0.51        |