



WMRC DATA SHEET

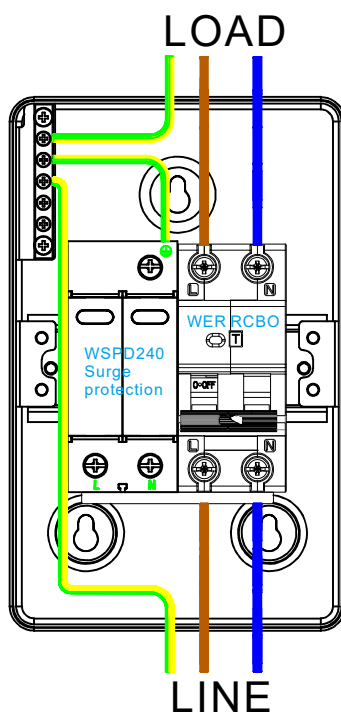
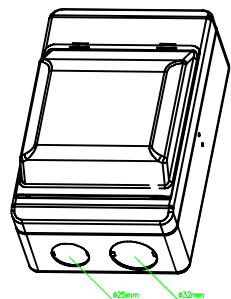
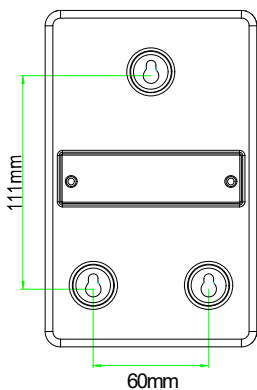
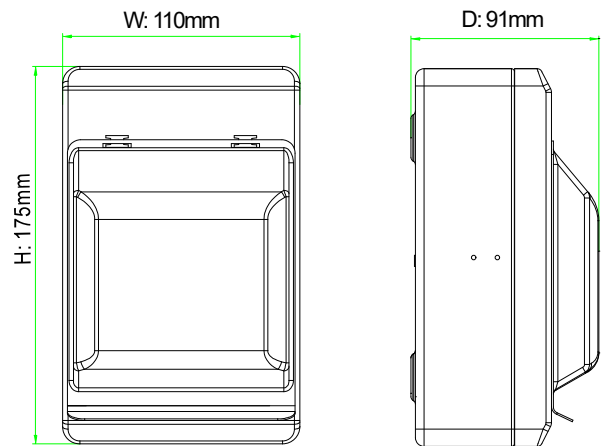
WMRC enclosure are finished in white polyester powder coating. Multiple circular cable entry knock-outs (25&32mm) on the top and bottom. It is ideal for electrical vehicle installations. Twin handle system for the bi-directional RCBO, black handle controls MCB function, white handle controls RCD function. If only black handle trip off, it indicates overload or short circuit. If both white and black handle trip, it will indicate residual current fault. This will assist electrician to solve the electrical fault quickly, saving time and money.

Technical Data

Standard	BS EN61439-3 BSEN61009-1 BS EN61643-11
Number of modules	4
Rated Voltage	230V
Rated current	according to the rated current of rcbo
Frequency	50Hz
Cable entry	Selection of Knockouts
Incoming terminal capacity	35mm ² max
Terminal type	Cage Clamp
Protection class ip rating	IP40
Surge protection	Type2
Visual Indication of Surge protection	Green=Good, Red=Replace
Device mounting	35mm din rail
Ambient temperature	-25 °C — +40 °C

Customer Information

In line with the current BS7671 wiring regulations, the test button (T) must be operated monthly. If unit fails please consult your installer. In the event of the unit tripping, return handles to the on position. If they continue to trip or fail to reset please consult your installer.



OR

